



VOCATIONAL VEHICLE ROLLOVER WARNING & TRAINING SYSTEM



A Team Eagle Company



“66% of all fire truck accidents resulting in fatalities are rollover.”

The Association for
Advancement of
Automotive Medicine

≡ TIME

U.S. • FIRE DEPARTMENT

Firefighters Are More Likely to Die in a Road Crash Than From Fire

UPDATED: NOVEMBER 13, 2015 9:33 AM ET | ORIGINALLY PUBLISHED: NOVEMBER 13, 2015 8:15 AM EST

With all the dangers associated with fighting fires, crashing the truck on the way to the emergency site is a **leading cause** of firefighter deaths.

Around one in five of the 829 firefighter fatalities in the last decade occurred on the way to or back from calls, the *Washington Post* reports, using data from the National Fire Protection Agency.

That makes crashes more deadly than most threats from fighting the fires themselves, such as building collapses or electrical shock. Overexertion or heart stress is the only more frequent cause of death, **according to the NFPA.**

“It’s a nationwide problem,” Vincent Brannigan, emeritus professor of fire protection engineering at the University of Maryland, told the *Post*. “You’ve got a patient in back of an ambulance, and the instinct to go like hell is enormous.”

Lateral 'g' forces, the forces exerted when vehicles corner or are operated on a side slope, are responsible for most large vehicle rollovers. These types of accidents are the most costly in terms of both loss of life and property damages.

To help prevent vocational vehicle rollovers, Team Eagle has designed and patented the LG Alert™ device to increase driver awareness.



Vehicle Rollover Warning & Training System

Help train operators to safely exploit the high performance capabilities of the vehicle.

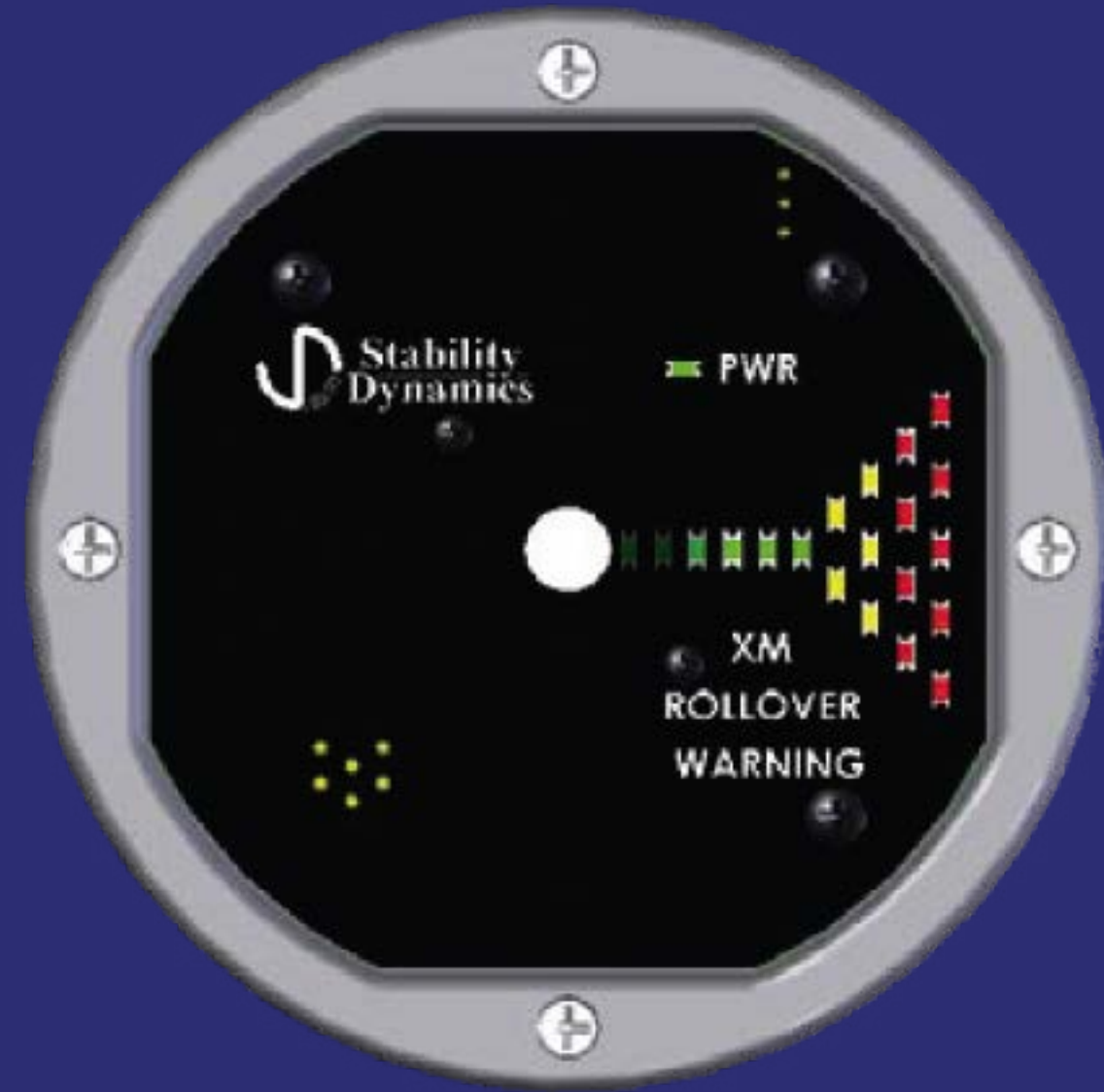


Provides mounting visual and audio alarms.

LG ALERT™

For driver awareness of increasing threat of rollover with accelerating intensities of visual and audio alerts on approaching rollover thresholds, this proven technology retrofits to any non-articulating vocational vehicle and can be installed in less than an hour.

It also filters out false alarms from aggressive suspension and road 'noise.'



Display Module

Bilateral indicator lights
Built-in and remote audible alarms

Base Module

Triaxial accelerometers
Adjustable sensitivity
Water resistant
Vibration resistant
Elimination of false warnings

Power requirements

12 VDC, 0.5A
DC-DC power supply included for 24VDC systems



LG Alerts™ are installed in 000s of vocational, emergency, and military vehicles in over 100 countries, and have helped reduce ARFF rollovers in North America (early adopters) by over 90% in the first few years of introduction.

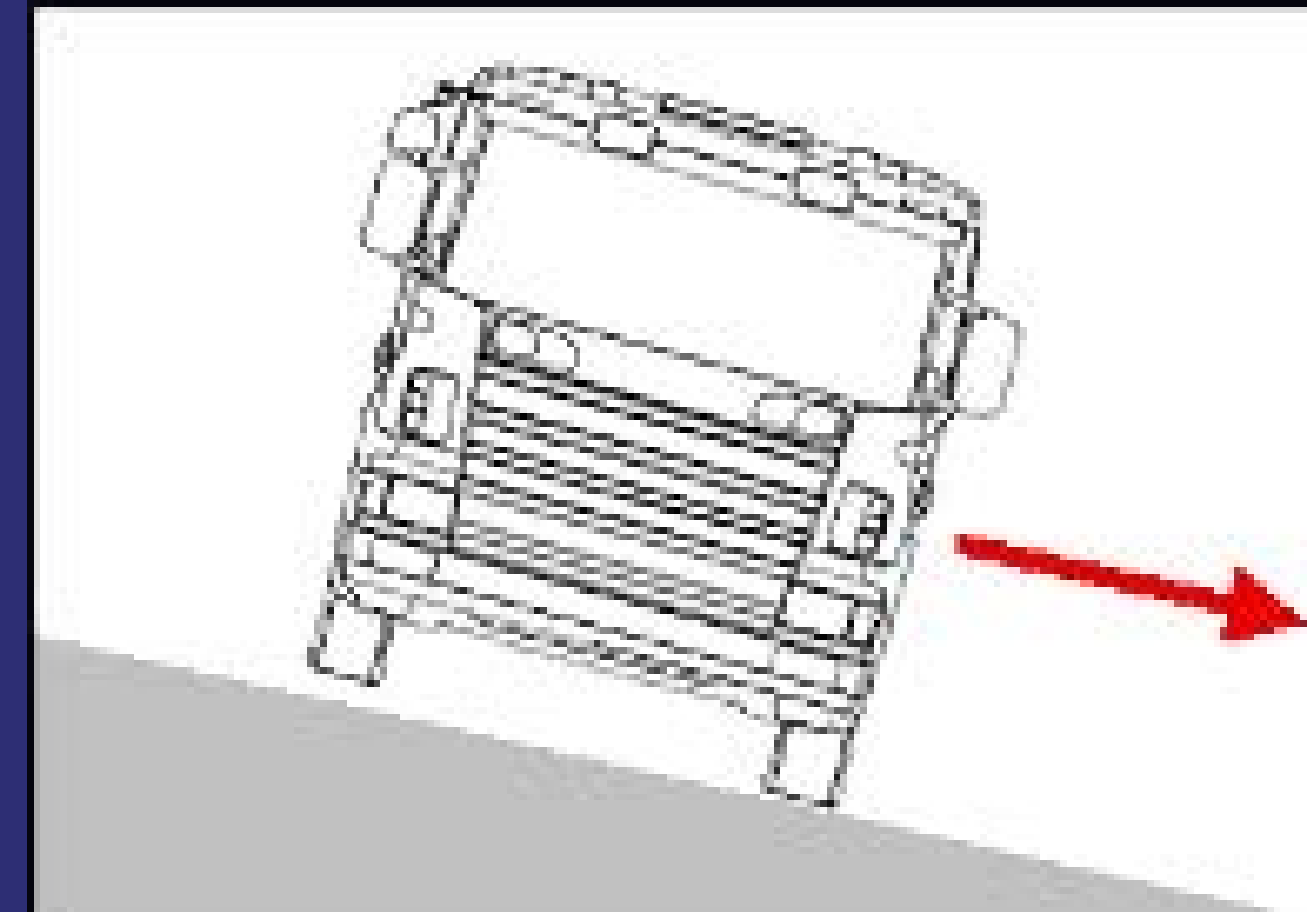
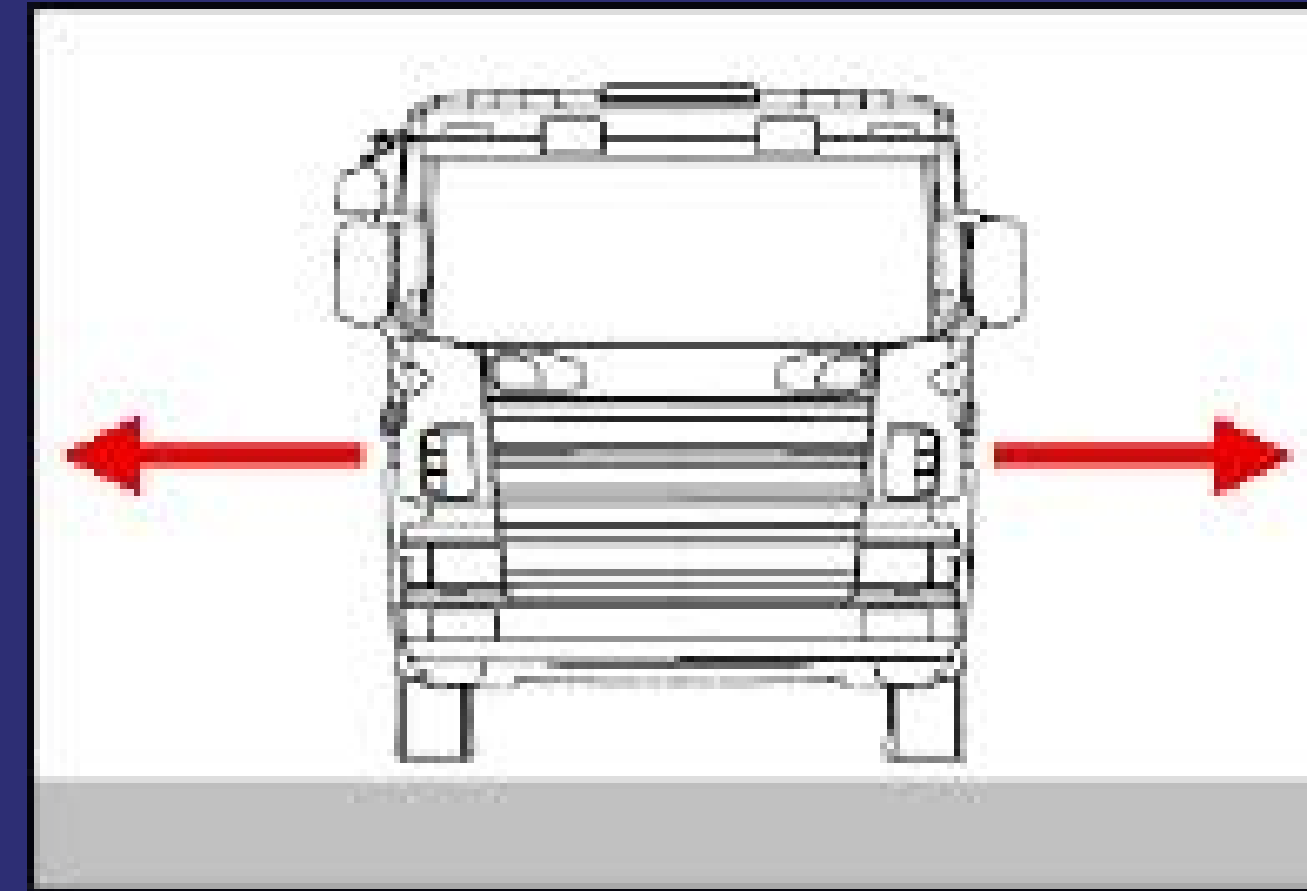
Tilt component – displacement of centre of gravity

WHAT CAUSES ROLLOVERS?

Rollover Accelerations

Lateral accelerations due to cornering

Rollover threshold is dependent on the sum of the lateral accelerations and the tilt component.



Helping to prevent vehicle rollovers by increasing drivers awareness of speed, cornering and side slopes.

Technical Specifications:

Weight

3.5 lbs

Environmental

Operating Temp (°F): -25°F to +130°F

Ingress Protection: IP67 (IEC 60529)

Electrical

Supply Voltage: +12VDC

Voltage Protection: ±15VDC Max.

Supply Current: 2.0A Max

Fuse Rating: 3.0A

Response Filtering

Display Indication: > 1.0 Hz

Signal Outputs: > 8.0 Hz

Sensitivity Settings (Full Scale)

Lateral Acceleration: 0.17g to 1.00g

Static Tilt Angle: 10° to 90°

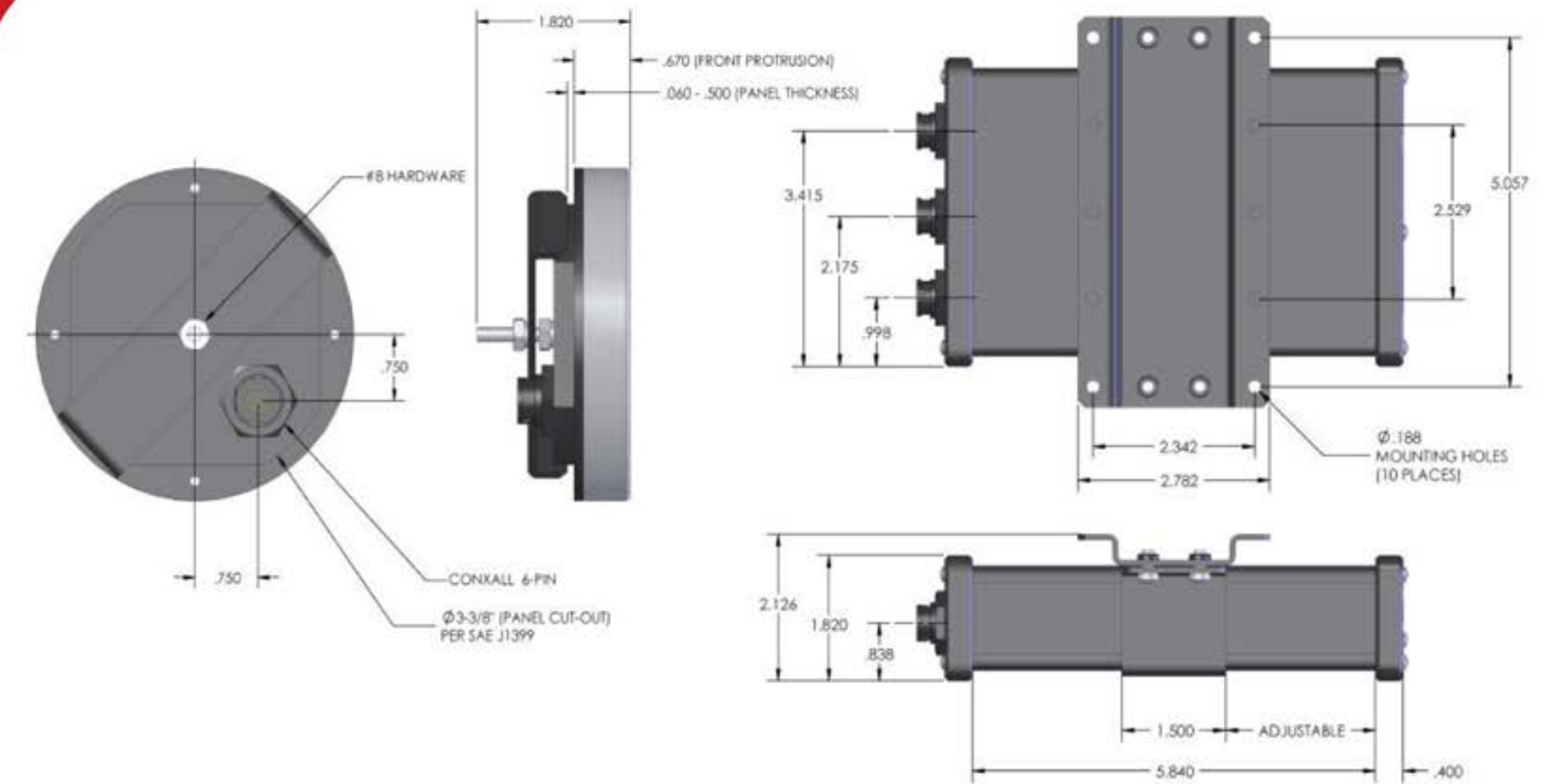
Alarm Levels

Level	Visual	Audible
1 to 6	Green, Steady	None
7	Yellow, Steady	None
8	Yellow, Steady	82dB (Display)
9	Red, Steady	82dB (Display)
10	Red, Flashing	100dB (Remote Horn)


Optional Equipment

24VDC Power Supply

Data Acquisition Capability



Dimensions are in inches. Stability Dynamics reserves the right to change the design and specifications of its products without notice. Illustrations may include optional equipment and accessories.

A close-up, low-angle shot of a red fire truck. The truck is the central focus, with its emergency lights and a ladder visible. The background is a dramatic scene of fire and smoke, suggesting an active fire scene. The lighting is warm, with a golden glow from the fire. The text is overlaid in the center of the image.

**contact us at
info@team-ealg.ca**